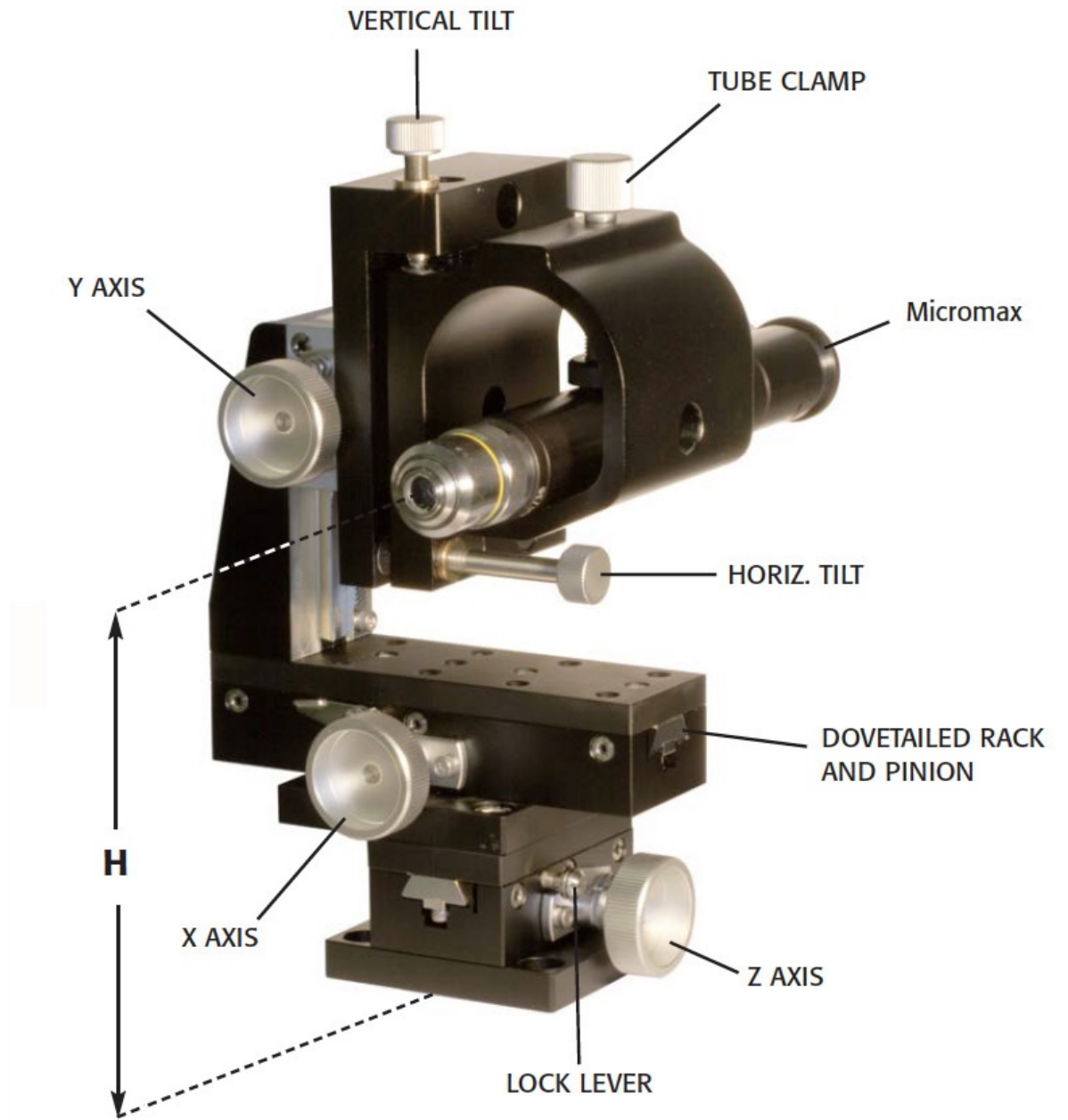


# Perfect Lab Components

Post Mounts  
Mounting Posts  
Quick Setup  
X-Y-Z Stages

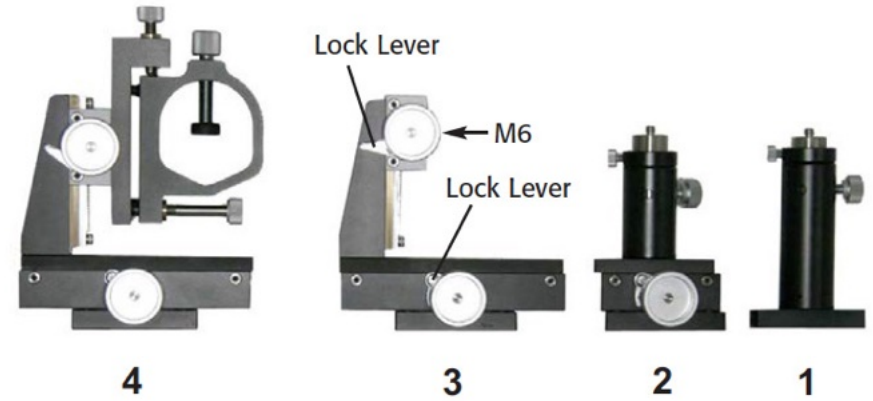


## PERFECT LAB

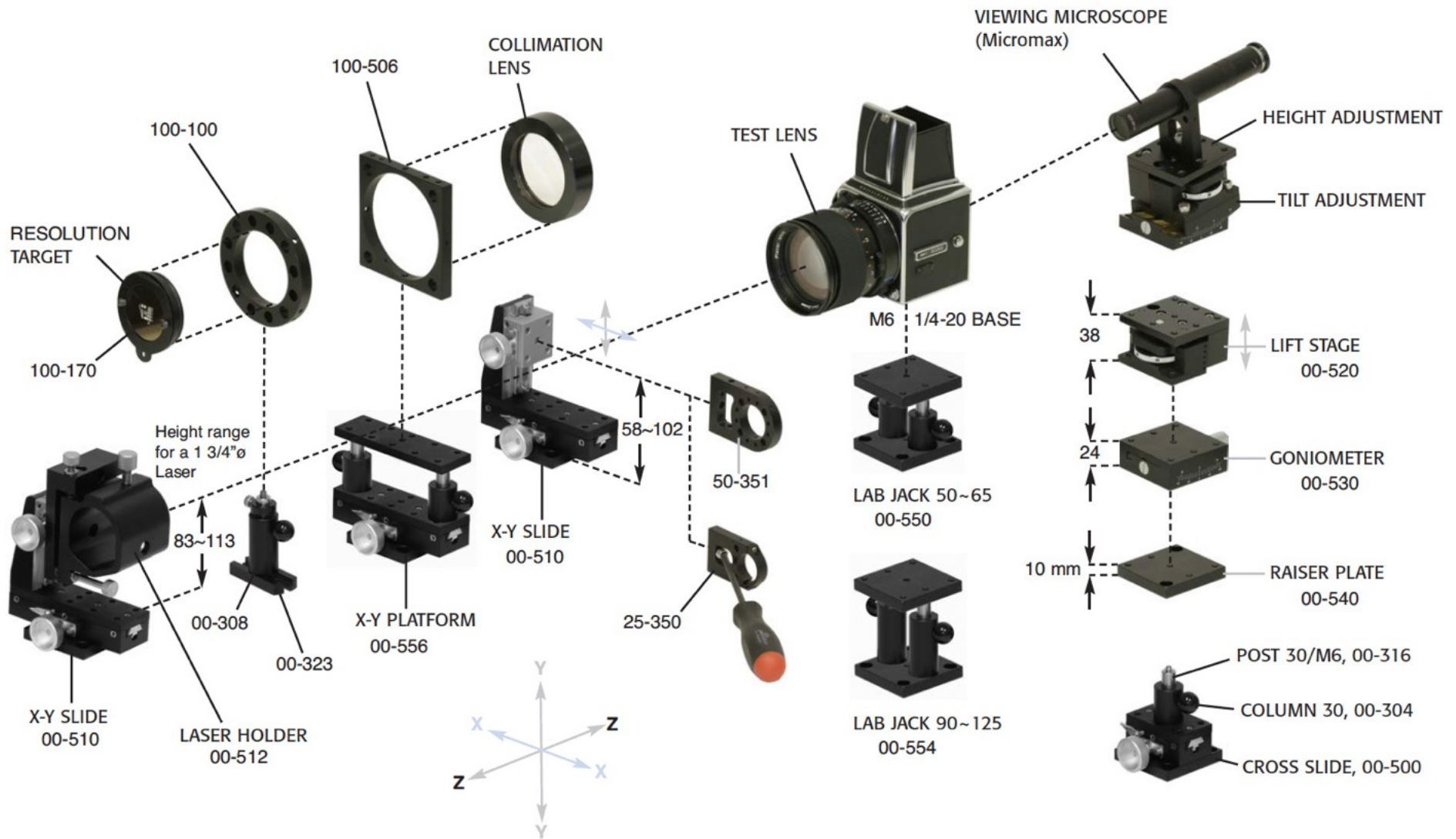
Perfect lab is an environment where experiments are put together most rapidly and conveniently. The most time consuming part of experimentation is the setup time spent on height adjustments for each device. We have found that for the basic foundation of most setups, a dovetailed rack and pinion system would work best. The setup speed, and travel range of rack and pinion devices by far exceeds the micrometer based systems. Furthermore, the clamping scheme in new dovetailed designs offer much more rigidity than linear stages could offer.

We suggest five methods for setting up an optical layout:

- 1) **A Post mount on a Mounting base**, allows its coarse horizontal and vertical adjustments (right).
- 2) **A short post mount on a cross slide** would level with case 1, but would allow fine horizontal adjustments.
- 3) **X-Y stage** would provide fine and course adjustments on both axis.
- 4) **X-Y stage with tilt adjustment** would be ideal for lasers or other cylindrical pieces.
- 5) **LAB JACKS** (such as 00-550) in combination with lift stage, and Goniometer would offer 65X65 mm rigid platforms at infinitely variable heights and angles. Mounting columns can also be raised in 25 mm increments via 50-341, or in 10 mm increments via 50-343.



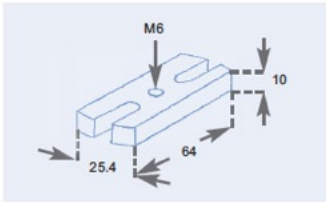
PART #	DESCRIPTION	
00-500	CROSS SLIDE	65X65 mm Base X 38 mm Height with M6 screws, 30 mm Travel range, Lockable rack and pinion
00-502	CROSS SLIDE	65X65 mm Base X 38 mm Height with M6 screws, 85 mm Travel range, Lockable rack and pinion
00-510	X-Y SLIDE	65X65 mm X 38 mm Height with M6 screws, 44 V x 85 mm H Travel range, Lockable rack and pinion
00-512	LASER HOLDER	With tilt adjustment, secures 25 ~ 45 mm cylindrical lasers
00-520	LIFT STAGE	65X65 mm X 38 mm height / M6, 7 mm Fine adjustment Travel range, Lockable Dovetail design
00-530	GONIOMETER	65X65 mm X 24 mm height / M6, +/- 20° range, f = 50 mm above the top, Lockable rack and pinion
00-540	RAISER PLATE	Stackable 65X65 mm X 10 mm height / M6, uses 00-282 long length screws
00-544	RAISER PLATE	Stackable 65X65 mm X 30 mm height / M6, uses standard 00-280 screws
00-550	LAB JACK 50	Adjustable platform 65X65 mm X 50~65 mm height, For mounting hardware with M6 or 1/4-20 base
00-554	LAB JACK 90	Adjustable platform 65X65 mm X 90~125 mm height, For mounting hardware with M6 or 1/4-20 base
00-556	X-Y PLATFORM	Adjustable platform 38X120 mm X 90~105 mm height, For mounting hardware with M6 or 1/4-20 base
00-304	MOUNTING COLUMN 30	L=30 mm Secures directly to Inch/Metric optical tables with low profile allen screws 00-284/286
00-308	MOUNTING COLUMN 50	L=50 mm Secures directly to Inch/Metric optical tables with low profile allen screws 00-284/286
00-310	MOUNTING COLUMN 70	L=70 mm Secures directly to Inch/Metric optical tables with low profile allen screws 00-284/286
00-312	POST 30, M6	L=30 mm, 12 mm Ø, SS, Stackable
00-313	POST 30, 1/4-20	L=30 mm, 12 mm Ø, SS, Stackable
00-314	POST 50, M6	L=50 mm, 12 mm Ø, SS, Stackable
00-315	POST 50, 1/4-20	L=50 mm, 12 mm Ø, SS, Stackable
00-316	POST 70, M6	L=70 mm, 12 mm Ø, SS, Stackable
00-317	POST 70, 1/4-20	L=70 mm, 12 mm Ø, SS, Stackable



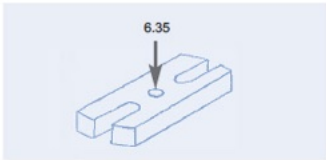
## MOUNTING SCREWS

PART #	DESCRIPTION
00-280	ALLEN SCREW M6 X 10, SET OF 25, SS For Stages
00-282	ALLEN SCREW M6 X 18, SET OF 25, SS, for Raiser Plates
00-284	LOW PROFILE M6 X 10, SET OF 25, SS For Post Mounts
00-286	LOW PROFILE 1/4-20 X 3/8, SET OF 25, SS For Post Mounts

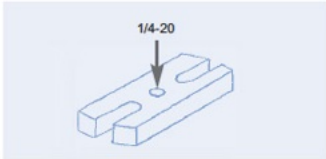
PART #	DESCRIPTION
00-166	ALLEN SCREW 1/4-20 X 5/8", SET OF 25, SS, For Inch Tables
00-168	ALLEN SCREW 1/4-20 X 3/8", SET OF 25, SS, For Inch Tables
00-170	SET SCREW M6 X 25 with NUT, SET OF 10, For 50-351
00-172	SET SCREW 1/4-20 X 5/8" with NUT, SET OF 25, " "



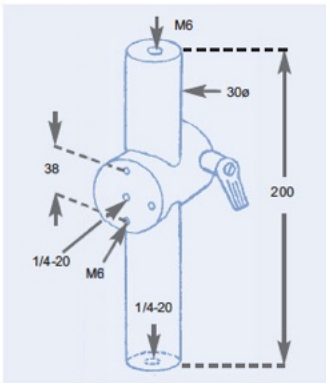
**00-323 MOUNTING BASE**  
 M6 For securing post mounts on optical rail carriers, and breadboards.



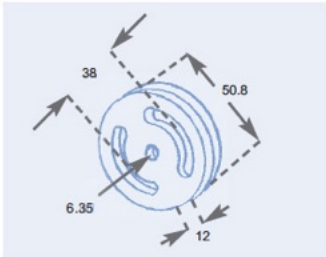
**00-324 MOUNTING BASE**  
 M6~1/4-20 For securing threaded post mounts from below.



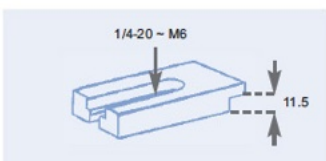
**00-325 MOUNTING BASE**  
 1/4-20 For securing post mounts on optical rail carriers, and breadboards.



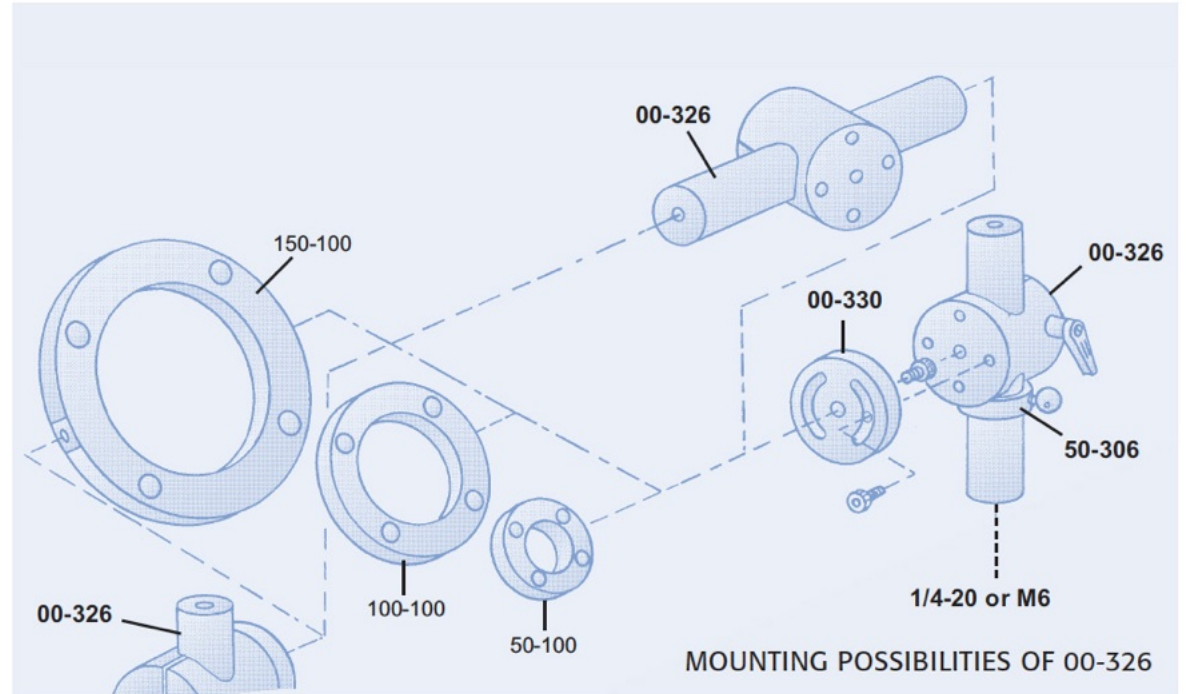
**00-326 MINI COLUMN**  
 For securing Optoform setups on top of Optical tables at any angle or height. Works with 00-330 to secure, i.e., Microptic 50-126 or 50-349. 50-351 may be directly mounted on the Mini Column.



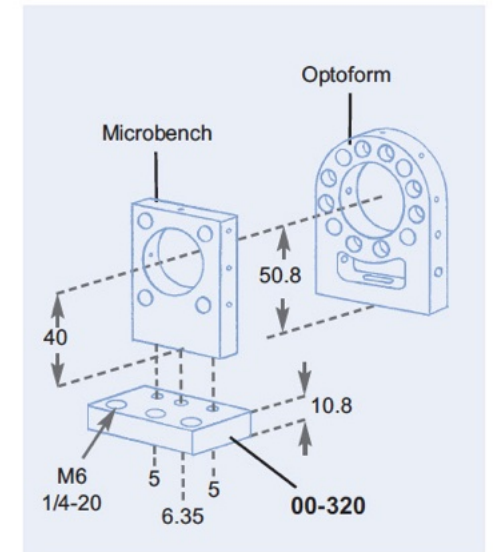
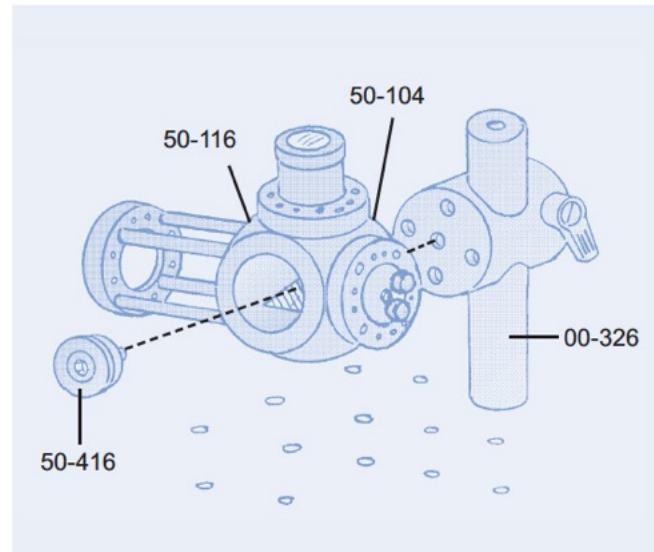
**00-330 MOUNTING PLATE ADAPTER** 50 Mounts Micro/Mini and Macroptic plates to the Mini column. Macroptic plates can be secured from both sides for maximum rigidity. The setups can swivel horizontally or vertically.



**00-334 CLAMPING BASE**  
 For securing post mount bases or Mini/Macro plates freely on breadboards.



MOUNTING POSSIBILITIES OF 00-326



**00-320 LEVELING PLATE** Designed to level Microbench's 40 mm mounting height with Optoform Mounts 25-348/50-351/50-546/100-530 on inch or metric breadboards.